

WESTGATE

UL LED WALLPACKLIGHT INSTALLATION INSTRUCTION

Outdoor Series

LWA-12XX, LWA-20XX, LWA-30XX, LWA-50XX, LWA-80XX,
LWA-120XX;

"XX" is the CCT with CW for 5000K, NW for 4000K, WW for 3000K.

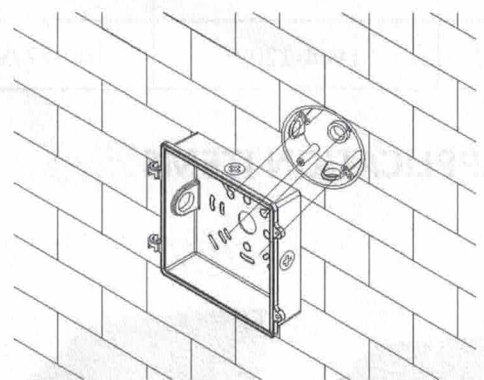
SAFETY INSTRUCTION

- Read instructions carefully before attempting to install fixture. Retain instruction for future reference.
- Disconnect power before installing or servicing. This fixture must be wired in accordance with the National Electrical Code and applicable local codes and ordinances.
- All wiring should be performed by a qualified electrician. This fixture is for outdoor use and should not be used in areas with limited ventilation or high ambient temperatures.

INSTALLATION- Box Mounting

1. open the fixture with 90 degree at least, loosen the 2 screws and take off the back plate.
2. Secure the back plate to junction box by screws, put silicone glue to seal between the back plate and mounting surface, attention the UP (↑) direction. See figure 1.
3. Hang the fixture on the back plate. Connect wires into wiring terminal; white wire to "Neutral" terminal, black wire to "Live" terminal, green wire to "Ground" terminal; connect the ground wire to the back plate. See figure 2. Please mention the main specification as following before wiring. (See Table 1)
4. Close fixture and tighten the 2 screws. See figure 3.
5. Adjust the fixture to a proper angle.

FIG.1



6. Remove the 2 screws in the bottom of mounting box (A or B) for water drain. See figure 4.

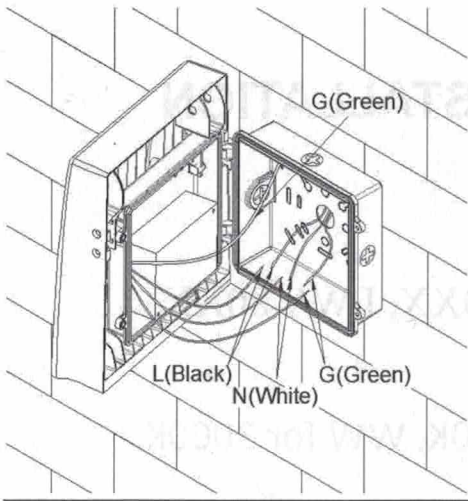


FIG.2

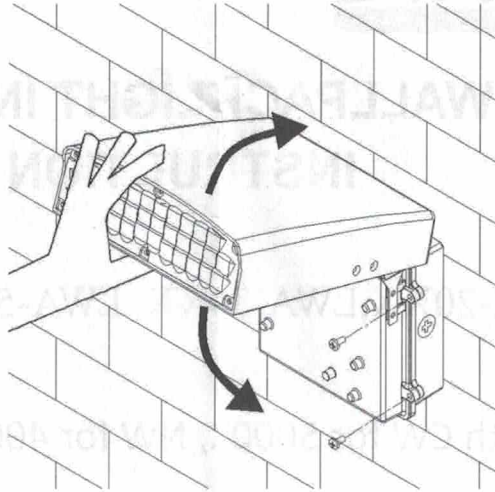


FIG.3

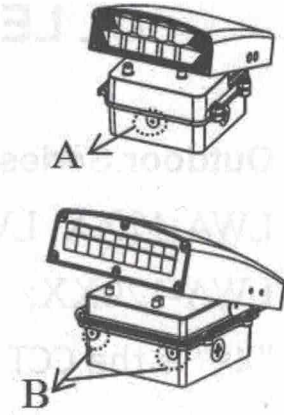
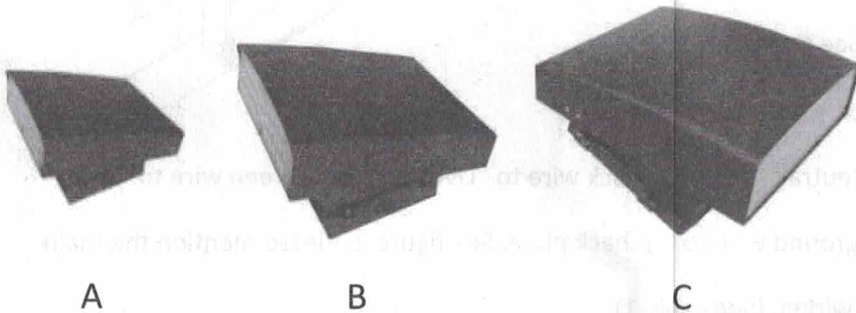


FIG.4

Table 1

Item	Model	Input Voltage	Input Current	Watt	Power Factor	Dimming
A	LWA-12W	100-277VAC	0.15A	12W	≥ 0.9	N/A
B	LWA-20W	100-277VAC	0.30A	20W	≥ 0.9	N/A
B	LWA-30W	100-277VAC	0.38A	30W	≥ 0.9	N/A
B	LWA-50W	100-277VAC	0.52A	50W	≥ 0.9	N/A
C	LWA-80W	100-277VAC	1.0A	80W	≥ 0.9	0-10V/PWM/VR
C	LWA-120W	100-277VAC	1.5A	120W	≥ 0.9	0-10V/PWM/VR

APPLICATION ITEMS



A

B

C